



**NEW!**

# Energy Efficient LED Technology

ONLY 8.6 TOTAL WATTS PER UNIT

## AW LED

### AREA WARNING LIGHT

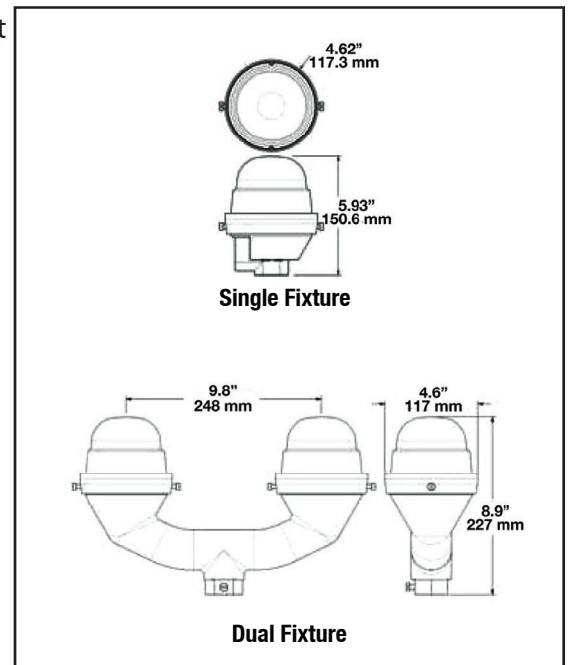


#### FEATURES/APPLICATIONS

AW LED obstruction light series utilizes unique optical, electrical and mechanical design. AW LED is the most universal, compact and efficient obstruction light in the world. ETL certified to the Transport Canada requirements. Available as a complete single fixture or as a direct replacement of incandescent lamp/lens technology.

#### SPECIFICATIONS

- Uses 90% less energy than incandescent, only 8.6 total watts per unit
- Available as a single or dual unit
- Available in 120 VAC
- Lasts years longer than an incandescent
- Weather/corrosion resistant lamp assembly and housing
- Self-contained wiring compartment eliminates additional boxes
- Threaded 1" side and bottom hubs for single unit
- Threaded 1" bottom hub for dual unit
- Both units supplied with adapter for 3/4" mount
- Resistant to shock and vibration
- IP66 / NEMA 4X
- Transport Canada Certification, Canadian Aviation Regulation CAR 621.19



## ORDERING INFORMATION

- AWSP3120CAN** Single AW LED area warning light
- AWDP3120CAN** Twin AW LED area warning light